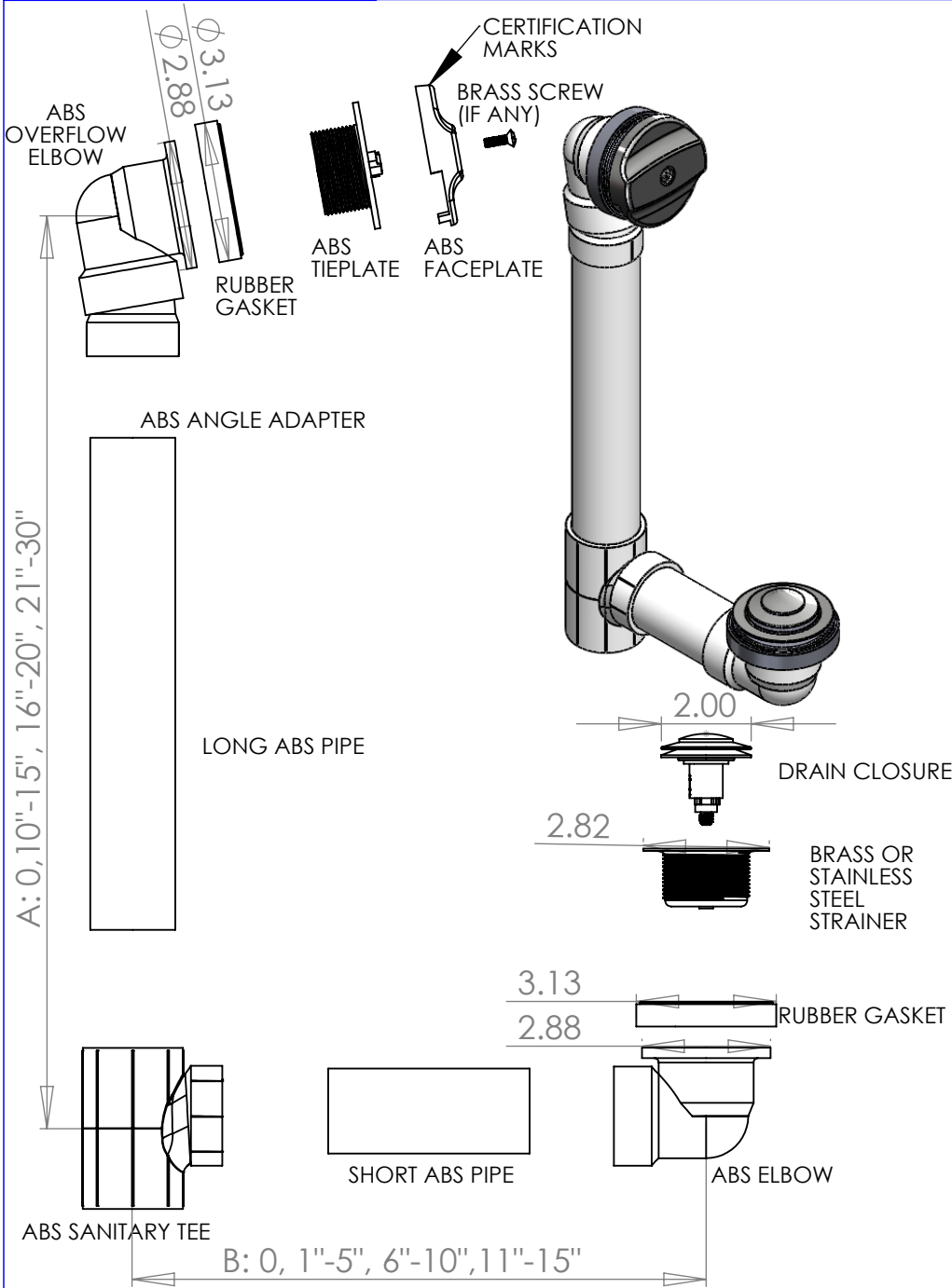




6040 WASTE OVERFLOW SERIES

PRODUCT Specifications



a6040xyz
 ABS WASTE/OVERFLOWS with
 - angle adapter
 - retail or wholesale (a)
 - choice of closure (x)
 - choice of pipe length(y)
 - choice of finish (z)
 - certifications

RETAIL OR WHOLESALE (a):

"R" = retail product
 [no prefix] = wholesale

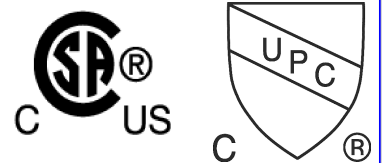
PIPE LENGTH SETS (y):

"K" = KIT WITH NO PIPE
 [no suffix] = (A) 10"-15" & (B) 1"-5"
 "20" = (A) 16"-20" & (B) 6"-10"
 "27" = (A) 21"-30" & (B) 11"-15"

FINISHES AVAILABLE (z):

AB = ANTIQUE BRASS
 AN = ANTIQUE NICKEL
 B = BONE
 BCP = CHROME ON BRASS
 BN = BRUSHED NICKEL
 CP = CHROME ON ABS
 PB = POLISHED BRASS
 PCH = PEARL CHROME
 PN = PEARL NICKEL
 SS = STAINLESS STEEL
 VB = VENETIAN BRONZE
 W = WHITE

CERTIFICATIONS:



Certification mark(s)
 located on face of
 faceplate

Drawn by: Chris McLeod
 Date: 2009/Feb/25th
 Checked by: Kevin Ernst
 Oakville Stamping & Bending Ltd.
 Units: Inches
 Scale: 1: 4 (line drawing)
 1:7 (illustration)

DRAIN CLOSURES AVAILABLE (x):

