



64D WASTE/OVERFLOW SERIES

PRODUCT Installation

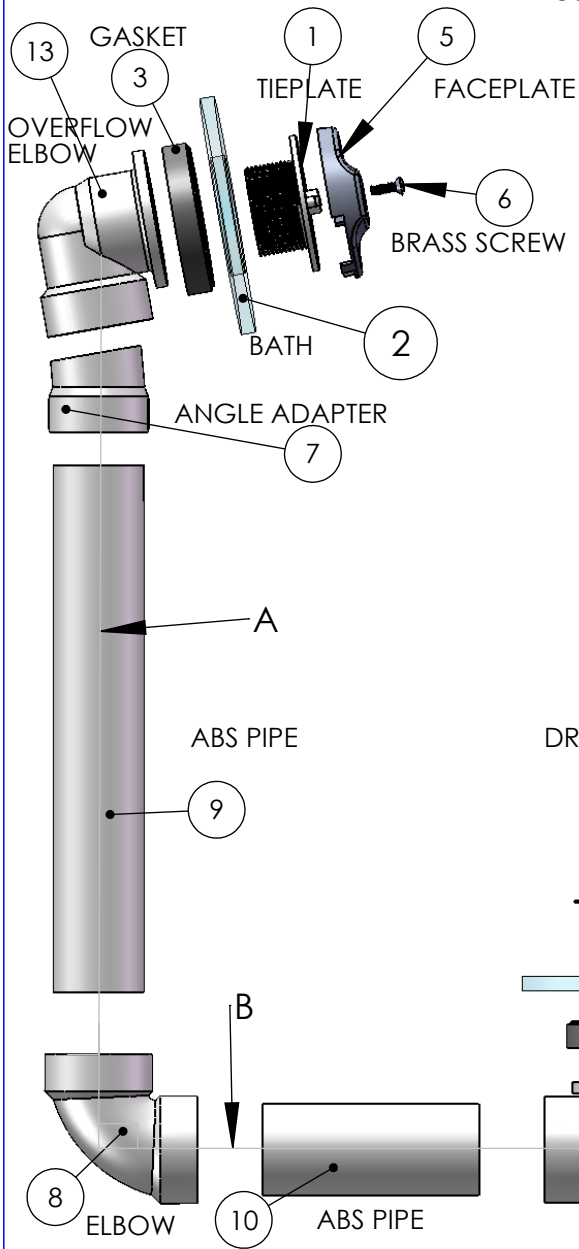
I. Calculate Dimensions and do Rough Fit

i Measure horizontal distance "B".

Fit short ABS pipe (10) to side hub of sanitary tee (8) and waste elbow (4). The length from the center of the tee (8) to the centre of the elbow (4) hub should approximate "B". Do a dry fit to the bath before cutting the short ABS pipe (10) to fit.

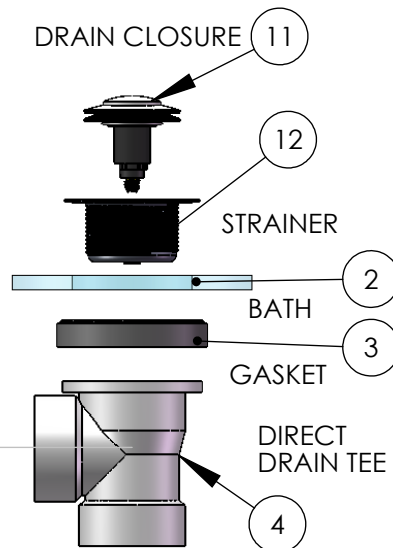
ii Measure vertical from center of drain waste hole to centre of the overflow hole. This is distance "A".

Fit long ABS pipe (9) to straight hub of the angle adapter (7). The use of the angle adapter (7) is optional. Do a rough fit to the bath before cutting the pipe (9) to match the distance "A" to the sum distance from the center of the elbow (8) up the pipe (9) and (if used) angle adapter (7), and finally up to the center of the overflow hub of the overflow elbow.



Tools you will need:

- i. certified solvent cement
- ii. hacksaw
- iii. medium Philips screwdriver
- iv. knife to clean pipe ends
- v. non-oil-based caulking compound
- vi. rubber handled channel locks



II. Install Permanently

- a. Mount drain waste to bath
 - i. Mount drain strainer (12) to bath (2), fitting the strainer washer (3) between the direct drain tee (4) and the bath (2).
 - ii. Apply sealant between the drain strainer flange and the tub surface.
- b. Mount overflow to bath
 - i. Mount tieplate (1) through bath (2) to overflow (13)), fitting the second gasket (3) between the elbow flange and the bath. Centre the elbow hub in the hole such that the gasket seals in a complete circle around the hole.
- c. Fit angle adapter (7) to long pipe (9) to elbow (8).
- d. Fit short pipe (10) to the elbow (4) and to direct drain tee (8).
- e. Solvent weld ABS joints.
- f. Attach faceplate (5) to the tieplate (1) using the screw (6). For the plug and chain model, make sure the ring at the end of the bead chain is over the screw and behind the faceplate prior to tightening the screw.
- g. Thread or insert drain closure assembly into the strainer.

III. SOLVENT CEMENT

Secure all ABS pipe-hub joints with solvent cement.