



A SERIES

APPLICATION

These direct drive fans are specially designed for the rapid removal of smoke, steam, heat and fumes and for general ventilation of most commercial and industrial buildings. The fans are most practical for use at static pressures below .25" W.G.

DIRECT DRIVE, WALL EXHAUST FAN

8" through 24", capacities
from 200 to 4300 C.F.M.



FEATURES

- The blades are die stamped and die formed to assure balance
- Guard as shown is standard
- Totally enclosed, one, two or variable speed motor
- Non overloading characteristics
- Attractive enamel finish
- Vertical or horizontal installation
- Self acting, extruded aluminum blade Shutters
- Frames are built with steel panel, incorporating mounting flanges and Venturi orifice

OPTIONAL ACCESSORIES

- Adjustable louvers for manual or motorized operation
- Fan guards constructed of expanded metal for either the intake or the discharge
- Special coatings for fans installed in contaminated atmospheres
- Variable speed motors
- Consult the factory or your representative for information on special applications

OSHA approved guards are available

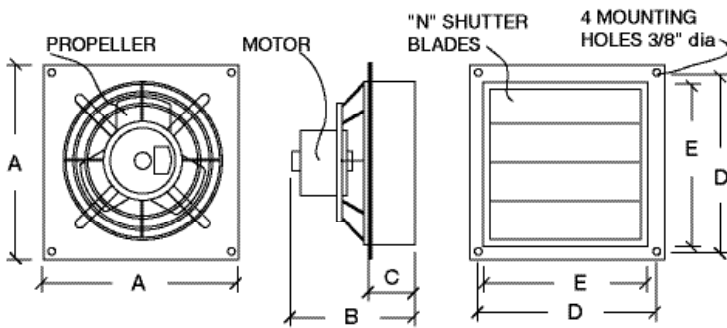
August, 2005

Reversomatic Manufacturing Ltd.

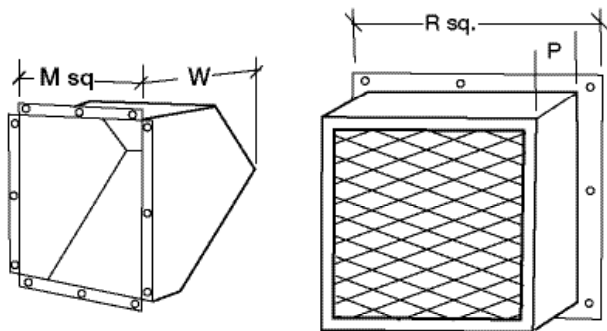
790 ROWNTREE DAIRY ROAD • WOODBRIDGE, ONTARIO, CANADA L4L 5V3 • PHONE (905) 851-6701 • FAX (905) 851-8376

A SERIES

MODEL NUMBER	FAN SIZE	MOTOR			AIRFLOW CAPACIT C.F.M.				FRAMING DIMENSION	SHIPPING WEIGHT Lbs.	SONES @ 125"
		AMPS	HP	RPM	0" S.P.	1/10" S.P.	1/8" S.P.	1/4" S.P.			
A-8-2	8"	1.1	1/30	1550 1330	410 345	295 245	265 220	180 150	11" x 11"	14	2.9 2.1
A 10-2	10"	1.1	1/30	1550 1300	890 745	775 650	740 620	510 430	13" x 13"	17	3.0 2.1
A 12	12"	5.4	1/4	1725	1580	1470	1430	1230	15" x 15"	38	3.9
A 12-2		4.9	1/4 1/20	1725 1140	1580 1040	1470 830	1430 720	1230 560		42	3.9 2.4
A 14	14"	5.4	1/4	1725	2150	2050	2030	1860	17" x 17"	41	9.4
A 14-2		4.9	1/4 1/20	1725 1140	2150 1425	2050 1250	2030 1200	1860 810		45	9.4 8.0
A 16	16"	5.4	1/4	1725	2500	2420	2400	2250	19" x 19"	43	10.6
A 16-2		4.9	1/4 1/20	1725 1140	2500 1670	2420 1530	2400 1470	2250 1000		47	10.6 7.2
A 18	18"	5.4	1/3	1725	3600	3500	3450	3300	21" x 21"	47	12.8
A 18-2		5.1	1/3 1/5	1725 1140	3600 2380	3500 2200	3450 2150	3300 1850		55	12.8 7.4
A 20	20"	5.4	1/3	1725	4100	4020	4000	3850	23" x 23"	51	12.0
A 20-2		5.4	1/3	1140	1700	2650	2640	2540		51	8.6
A 24	24"	3.9	1/3	1075	4300	4030	3920	3550	27" x 27"	75	9.4
A 24-V		3.9	1/3	VARIABLE	VARIABLE	VARIABLE	VARIABLE	VARIABLE		75	



FAN SIZE	FAN DIMENSIONS					
	A	B	C	D	E	N
8"	13-1/4"	10"	4-3/4"	12"	10-3/4"	2
10"	15-1/4"	10"	4-3/4"	14"	12-3/4"	3
12"	17-1/4"	14"	4-3/4"	16"	14-3/4"	3
14"	19-1/4"	15"	4-3/4"	18"	16-3/4"	4
16"	21-1/4"	14"	4-3/4"	20"	18-3/4"	4
18"	23-1/4"	15"	4-3/4"	22"	20-3/4"	5
20"	25-1/4"	16"	4-3/4"	24"	22-3/4"	5
24"	29-1/4"	16"	4-3/4"	28"	26-3/4"	7



FAN SIZE	ACCESSORIES DIMENSIONS			
	M	W	P	R
8"	11"	7.25"	6.5"	11"
10"	13"	9.25"	6.5"	13"
12"	15"	11"	9.5"	15"
14"	17"	12"	10.5"	17"
16"	19"	13"	10.5"	19"
18"	21"	15"	10.5"	21"
20"	23"	16.5"	11.5"	23"
24"	27"	19"	11.5"	27"

CONTRACTOR		A SERIES FAN DETAIL		
ARCHITECT	JOB	DATE	SUPERSEDES	DRAWING NO.
ENGINEER	DATE SUBMITTED	REVERSOMATIC Manufacturing Ltd Toronto, Ontario		