



BOOSTER FANS ARE USED FOR  
TRANSFERRING HOT OR COLD  
AIR IN PIPE SYSTEMS.  
BOOSTER FANS ARE EASY TO  
INSTALL AND FIT IN ROUND  
DUCT LINES.

# BF SERIES

---

**BF-9, BF-8  
BF-7, BF-6, BF-5  
BOOSTER FAN**



May, 2006

**Reversomatic Mfg. Ltd.**

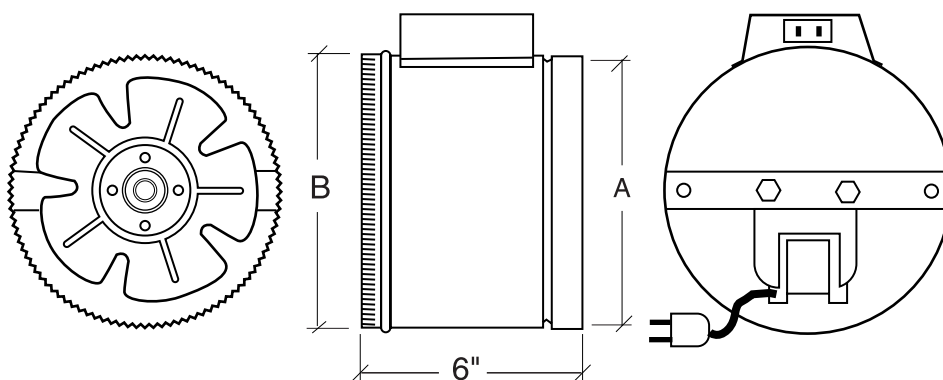
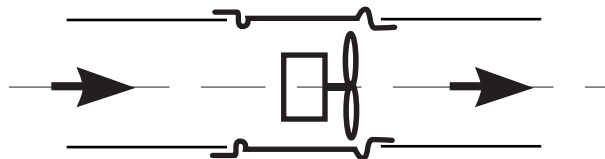
790 ROWNTREE DAIRY ROAD ▪ WOODBRIDGE, ONTARIO, CANADA L4L 5V3 ▪ PHONE (905) 851-6701 ▪ FAX (905) 851-8376

# BOOSTER FAN BF-9, BF-8, BF-7, BF-6, BF-5

## OPERATION AND INSTALLATION

BOOSTER FAN has a female collar on the incoming side and a male crimp on the outgoing side so it fits right into a standard 5", 6", 7", 8" or 9" round duct.

BOOSTER FAN can be operated and connected by using an on/off switch and power source of 120V, 60 Hz.



## FAN DATA

MODEL	MOTOR	BLADE	C.F.M.	S.P.
BF-9	0.86A CCW	Alum: 8" dia.	220	0
BF-8	1.2A CCW	Alum: 7" dia.	160	0
BF-7	0.9A CCW	Alum: 6" dia.	120	0
BF-6	0.76A CCW	Alum: 5" dia.	90	0
BF-5	1.0A CCW	Alum: 4.5" dia.	60	0

## DIMENSIONS

MODEL	A	B
BF-9	9"	8.875"
BF-8	8"	7.875"
BF-7	7"	6.875"
BF-6	6"	5.875"
BF-5	5"	4.875"

CONTRACTOR		FAN DETAIL BF-9, BF-8, BF-7, BF-6, BF-5		
ARCHITECT	JOB	DATE	SUPERSEDES	DRAWING NO.
ENGINEER	DATE SUBMITTED	REVERSOMATIC Mfg. Ltd Toronto, Ontario		