

TECHNICAL INFORMATION BULLETIN

ELECTRONIC LINEAR FLUORESCENT BALLAST

INSTANT START T8

ORDERING INFORMATION

Order code: 61124
 Description: E232T8IS120/N/AS/BULK
 UPC: 69549611245
 Warranty: 5 years

GENERAL INFORMATION

Ballast type: Electronic
 Starting method: Instant Start
 Lamp connection: Parallel
 Input voltage: 120 V
 Input frequency: 60 HZ
 Max. case temp.: 75 °C
 Status: Active
 Safety approval: 61124



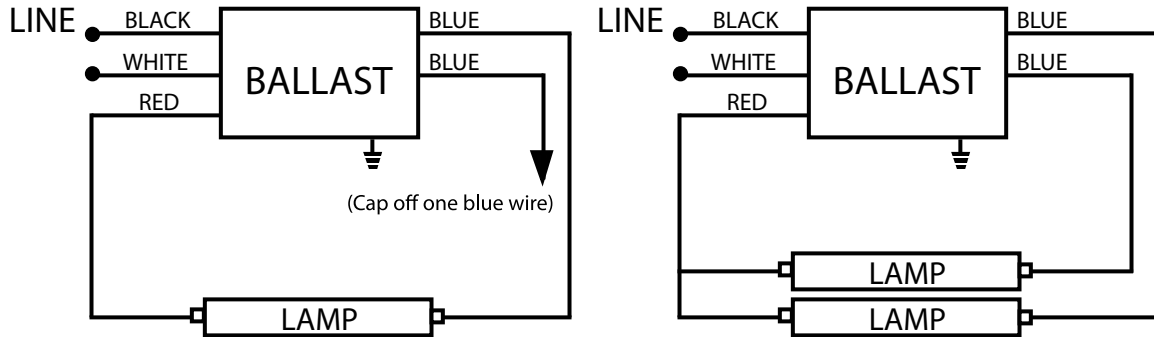
Lamp type	Number of lamps	Input voltage (V)	Input current (A)	Input power (W)	Power factor	Max THD %	Ballast factor	Min. start temp. (°F / °C)	Max. lamp current crest factor	B.E.F.
F32T8 32W	2	120	0.49	55	0.98	10	0.87	0/-18	1.7	1.58
F32T8/ES 30W	2	120	0.46	52	0.98	10	0.87	0/-18	1.7	1.61
F32T8/ES 28W	2	120	0.41	48	0.98	10	0.87	0/-18	1.7	1.81
F32T8/ES 25W	2	120	0.38	44	0.98	15	0.87	0/-18	1.7	1.98
F25T8 25W	2	120	0.38	49	0.97	10	0.90	0/-18	1.7	1.84
F17T8 17W	2	120	0.30	34	0.92	15	0.92	0/-18	1.7	2.71
F40T8 40W	1	120	0.48	45	0.92	15	1.00	32/0	1.7	2.22
F32T8 32W	1	120	0.30	38	0.92	15	1.11	0/-18	1.7	2.92
F32T8/ES 30W	1	120	0.21	35	0.92	15	1.10	0/-18	1.7	3.14
F32T8/ES 28W	1	120	0.29	32	0.92	15	1.10	0/-18	1.7	3.44
F32T8/ES 25W	1	120	0.28	30	0.92	15	1.10	0/-18	1.7	3.67

TECHNICAL INFORMATION BULLETIN

ELECTRONIC LINEAR FLUORESCENT BALLAST

INSTANT START T8

WIRING DIAGRAM

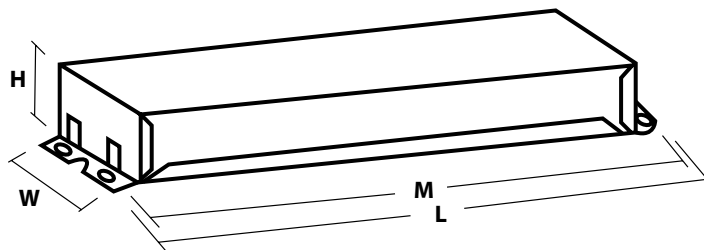


BALLAST FEATURES

	in.	cm
Length (L)	9.50	24.13
Width (W)	1.30	3.30
Height (H)	1.00	2.54
Mounting (M)	8.91	22.63

LEAD LENGTHS

	in.	cm
Black	25.00	63.50
White	25.00	63.50
Red	46.00	116.84
Blue	31.00	78.74



WARRANTY:

Ballast warranty of 5 years for electronic ballast 75 °C. Ballast warranty of 3 years for electronic ballast 90 °C. For more information visit our website.

Data is based upon tests performed in a controlled environment and representative of relative performance. Actual performance can vary depending on operating conditions. Specifications are subject to change without notice.



www.standardpro.com