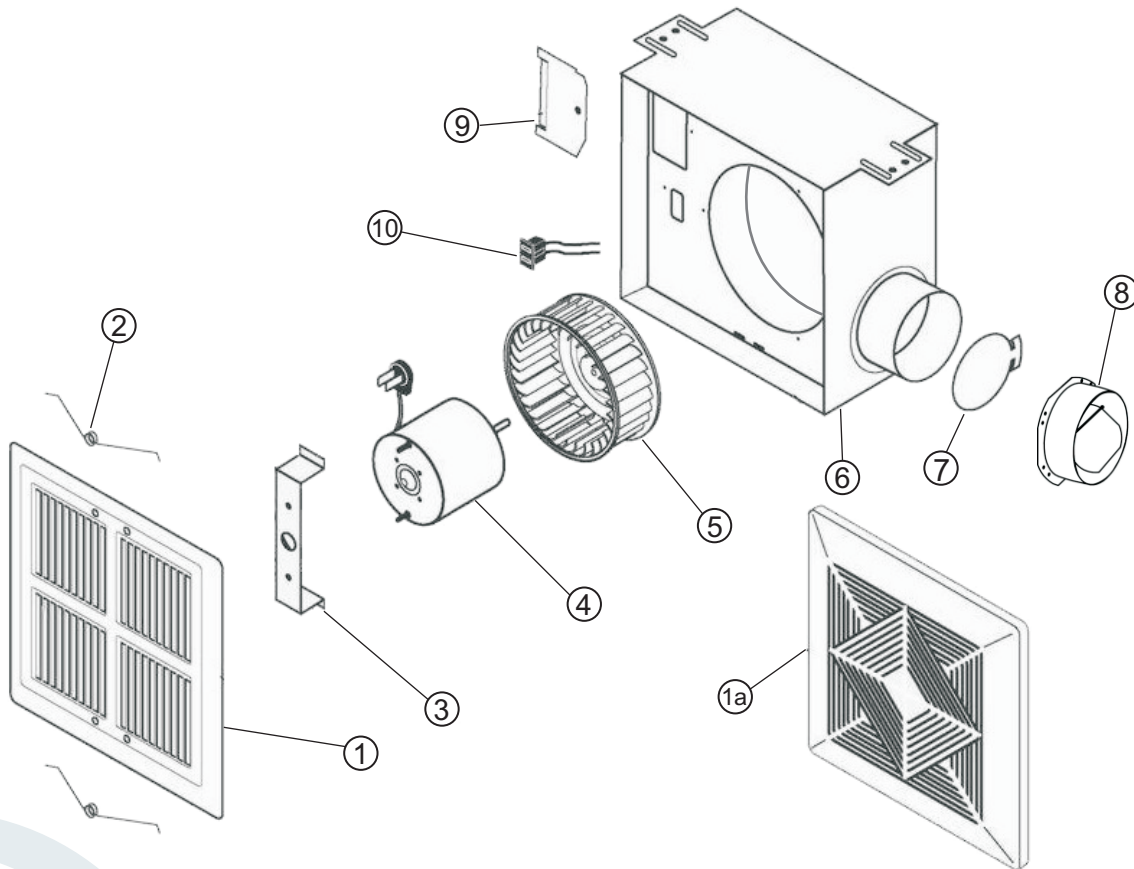




EB-100, RS-85 (EB-80 US model)

PARTS LIST



REFERENCE	DESCRIPTION	PART NO.	PRICE
1	Grille Aluminum	011361	\$16.50
1a	Grille Plastic (Hi-Impact Styrene)	014190	16.50
2	Torsion Spring	014004	2.11
3	Motor Bracket	011110	8.75
4	Motor EB100	013014	67.77
	Motor RS85	013016	66.14
5	Blower Wheel	013291	6.91
6	Housing	010115	46.44
7	Neoprene Damper	014034	1.56
8	4" dia. Plastic Backdraft Damper	014040	3.00
9	Cover Plate	011141	2.11
10	Receptacle	014001	2.11

Reversomatic Manufacturing Ltd.

790 Rowntree Dairy Road, Woodbridge, ON Canada L4L 5V3 • Tel: 905-851-6701 • Fax: 905-851-8376
www.reversomatic.com • info@reversomatic.com