

CLASS H

NRN/NRS/CANADIAN FUSES



NRN & NRS NON-TIME DELAY FUSES

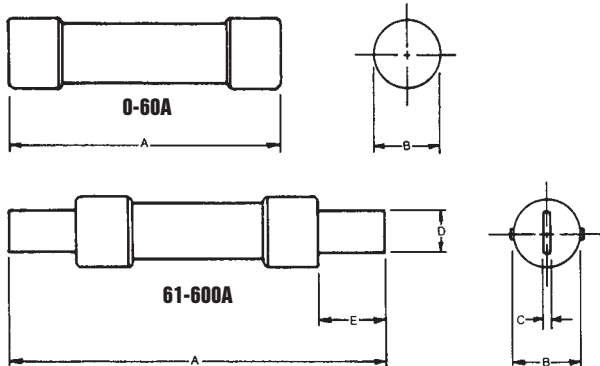
Ferraz Shawmut NRN (250V) and NRS (600V) fuses are standard non-time delay fuses, with a 10kA short circuit rating. 250 Volt NRN15 through NRN60 fuses are certified as Type “P” fuses, satisfying the Canadian Electrical Code for low melting-point non-time delay fuses. Also qualifying for Type “P” are OTN15 through OTN60, which are Class K-5 fuses with a 50kA short circuit rating (found in the OT/OTS section of this catalog).

250V NRN Fuses – Dimensions

AMPERE RATING	DIMENSIONS -INCHES (mm)				
	A	B	C	D	E
1-30	2.00 (50.8)	0.56 (14.2)	-	-	0.50 (12.7)
35-60	3.00 (76.2)	0.81 (20.6)	-	-	0.63 (16.0)
70-100	5.88 (149)	1.06 (26.9)	0.13 (3.18)	0.75 (19.1)	1.00 (25.4)
110-200	7.13 (181)	1.63 (41.4)	0.19 (4.76)	1.13 (28.7)	1.38 (35.1)
225-400	8.63 (219)	2.13 (54.1)	0.25 (6.35)	1.63 (41.4)	1.88 (47.8)
450-600	10.4 (264)	2.63 (66.8)	0.25 (6.35)	2.00 (50.8)	2.25 (57.2)

600V NRS Fuses – Dimensions

1-30	5.00 (127)	0.81 (20.6)	-	-	0.63 (16.0)
35-60	5.50 (139)	1.06 (26.9)	-	-	0.63 (16.0)
70-100	7.88 (200)	1.38 (35.1)	0.13 (3.18)	0.75 (19.1)	1.00 (25.4)
110-200	9.63 (244)	1.88 (47.8)	0.19 (4.76)	1.13 (28.7)	1.38 (35.1)
225-400	11.6 (295)	2.63 (66.8)	0.25 (6.35)	1.63 (41.4)	1.88 (47.8)
450-600	13.4 (340)	3.13 (79.5)	0.25 (6.35)	2.00 (50.8)	2.25 (57.2)



250V Fuse Ampere Ratings, Catalog Numbers

AMPS	CATALOG NO.	AMPS	CATALOG NO.	AMPS	CATALOG NO.	AMPS	CATALOG NO.	AMPS	CATALOG NO.
1	NRN1	15	NRN15*	50	NRN50*	125	NRN125	350	NRN350
2	NRN2	20	NRN20*	60	NRN60*	150	NRN150	400	NRN400
3	NRN3	25	NRN25*	70	NRN70	175	NRN175	450	NRN450
4	NRN4	30	NRN30*	80	NRN80	200	NRN200	500	NRN500
5	NRN5	35	NRN35*	90	NRN90	225	NRN250	600	NRN600
6	NRN6	40	NRN40*	100	NRN100	250	NRN250	-	-
10	NRN10	45	NRN45*	110	NRN110	300	NRN300	-	-

600V Fuse Ampere Ratings, Catalog Numbers

1	NRS1	15	NRS15	50	NRS50	125	NRS125	350	NRS350
2	NRS2	20	NRS20	60	NRS60	150	NRS150	400	NRS400
3	NRS3	25	NRS25	70	NRS70	175	NRS175	450	NRS450
4	NRS4	30	NRS30	80	NRS80	200	NRS200	500	NRS500
5	NRS5	35	NRS35	90	NRS90	225	NRS250	600	NRS600
6	NRS6	40	NRS40	100	NRS100	250	NRS250	-	-
10	NRS10	45	NRS45	110	NRS110	300	NRS300	-	-

* CSA Type “P”

F