

Permanent Split Capacitor

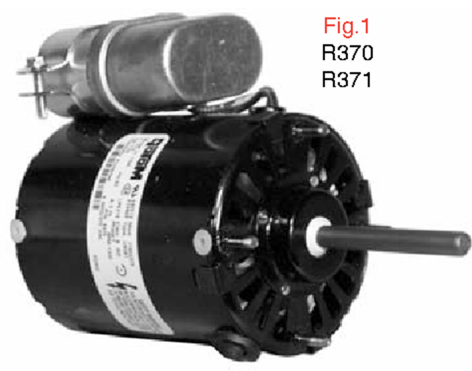


Fig.1
R370
R371

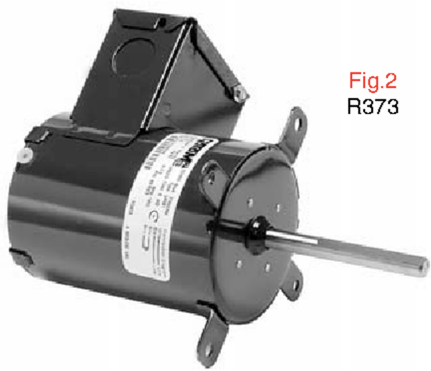


Fig.2
R373



Fig.3
R499
R312



Fig.4
R348



Fig.5
R366
R462



Fig.7
R422
R438

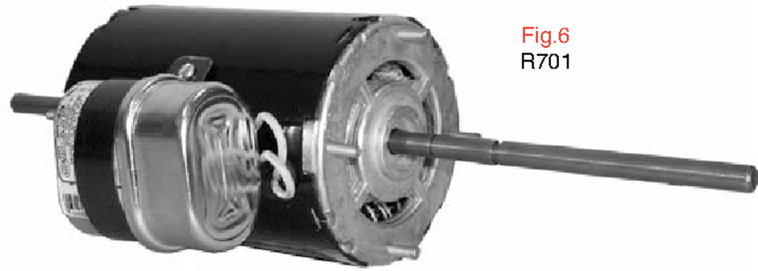


Fig.6
R701

115 & 230 Volt - Sleeve Bearing & Ball Bearing

Part #	Amps	H.P.	Volts	Rot.	Speed	Const.	Shaft	Body	Feature	Cap	Comment	Fig.
R371	0.38	1/20	230	C.W.	1/1550	OPEN	2.6"x5/16"	4.00	Plug, ball bearing	INC.	Keeprite	1
R370	0.75	1/20	115	C.W.	1/1550	OPEN	2.8"x5/16"	4.00	Plug, ball bearing	INC.	Keeprite	1
R373	0.90	1/15	115	C.C.W.	1/1400	T.E.	3.3"x3/8"	4.50	Plug	4/250	Greenhouse Fan	2
R499	1.00	1/15	115	C.C.W.	1/1625	OPEN	2.3"x5/16"	4.55	4studs front	4/370	Grainger 3M499B	3
R348	1.12	1/15	115	C.C.W.	2/1550	T.E.	3.4"x3/8"	4.1	3 ears	INC.	Vanee HRV M1703	4
R438	1.05	1/14	115	C.W.	2/1600	OPEN	1.5"x5/16"	4.25	3 Ears mtg.	4/370	Venmar HRV 01038	7
R462	1.10	1/17	115	C.C.W.	3/1660	OPEN	3.5"x3/8"x3.5"	4.00	2 studs side	7.5/370	Venmar HRV 02102	5
R312	1.20	1/12	115	C.C.W.	1/3250	OPEN	4.0"x5/16"	4.63	Internal Fan, ball bearing	4/370	Engineered Air 101322	3
R701	1.30	1/12	115	C.C.W.	3/1550	T.E.	5.0"x5/16"x2.7"	4.60	4 studs front & rear	INC.	Window A/C	6
R366	1.70	1/7	115	C.W.	3/1630	OPEN	3.0"x3/8"x3.0"	4.75	2 studs side	7.5/370	Venmar HRV 02100	5
R422	2.90	1/6	115	C.W.	3/1690	OPEN	2.1"x3/8"	4.90	3 ears	7.5/370	Venmar HRV 02209	7