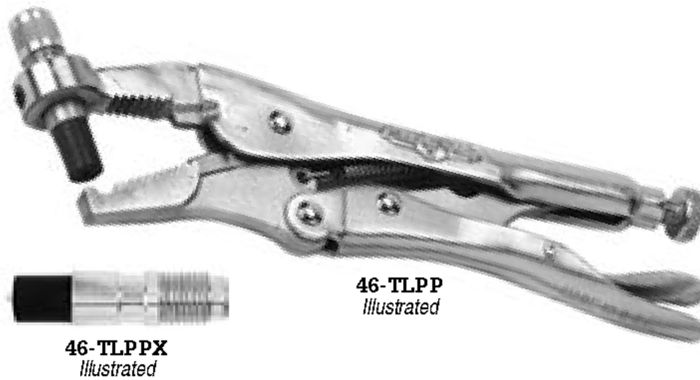


## Tube Piercing Pliers

CPS®



### Tube Piercing Pliers

Recover refrigerant quickly with clamp on, tube piercing pliers. Pliers are simple to use and light weight. Piercing tip easily replaceable.

Part #	Description
46-TLPP	Tube piercing pliers (Vise Grip®). Works on tubing sizes from 1/4" to 7/8".
46-TLPPX	Replacement tip for 46-TLPP

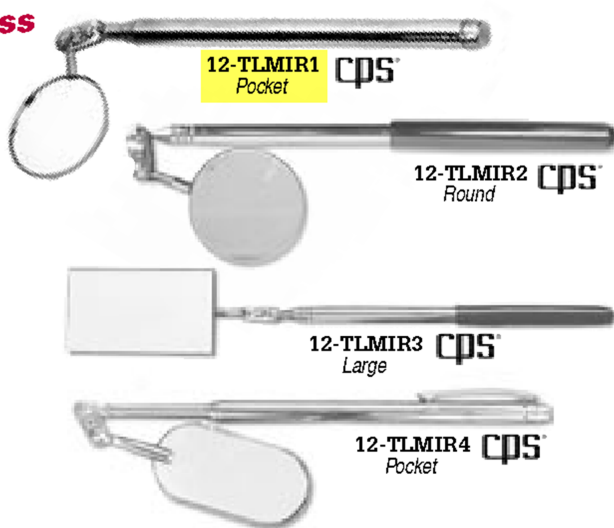
### Instructions

Connect service hose to fitting on pliers. Size locking pliers to tubing for proper clamping. Align tip to centre of tubing and clamp down. Recover refrigerant.

## Inspection Mirrors

ALTEMP

### Glass

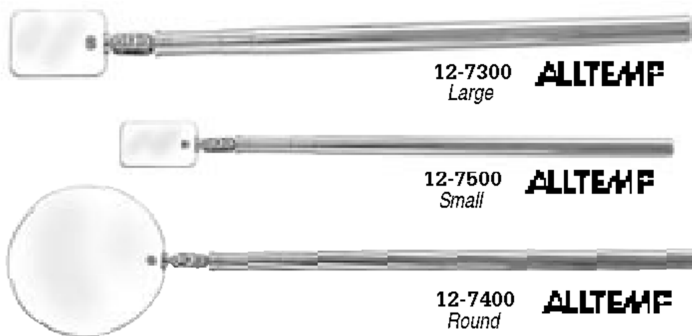


### Telescoping Inspection Glass Mirrors

- All models are made of stainless steel with brass backed mirrors.

Part #	Description
46-TLMIR1	(1 1/4") diameter circular telescoping pocket mirror.
46-TLMIR2	(2 1/4") diameter circular telescoping mirror.
46-TLMIR3	(2 1/8" x 3 1/2") Rectangular telescoping mirror.
46-TLMIR4	(1" x 2") oval pocket mirror.

### Steel



### Telescoping Inspection Steel Mirrors

- Unbreakable, made of highly polished stainless steel

Part #	Description
12-7500	Small (2" x 1 1/4") rectangular mirror.
12-7300	Large (2" x 3 3/4") rectangular mirror.
12-7400	Large round (3 3/4") mirror.

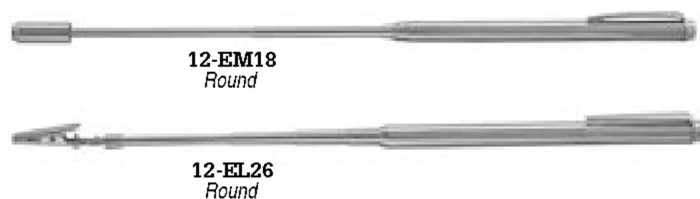
### Inspection Mirror Replacement Parts

- For 12-7500, 7300 & 7400 series inspection mirrors.

Part #	Description
12-7500-1	Small (2" x 1 1/4") rectangular spare mirror only.
12-7500-2	Small (2" x 1 1/4") rectangular spare mirror & swivel.
12-7300-1	Large (2" x 3 3/4") rectangular spare mirror only.
12-7300-2	Large (2" x 3 3/4") rectangular spare mirror & swivel.
12-7400-1	Large round (3 3/4") spare mirror only.
12-7400-2	Large round (3 3/4") spare mirror & swivel.
12-7303	Telescopic handle.
12-7304	Swivel link assembly.

## Magnet & Lighter Extension Instruments

ALTEMP



### Telescoping Magnets- Alltemp

Part #	Description
12-EM18	18" telescoping extension magnet.
12-EL26	26" telescoping extension lighter.