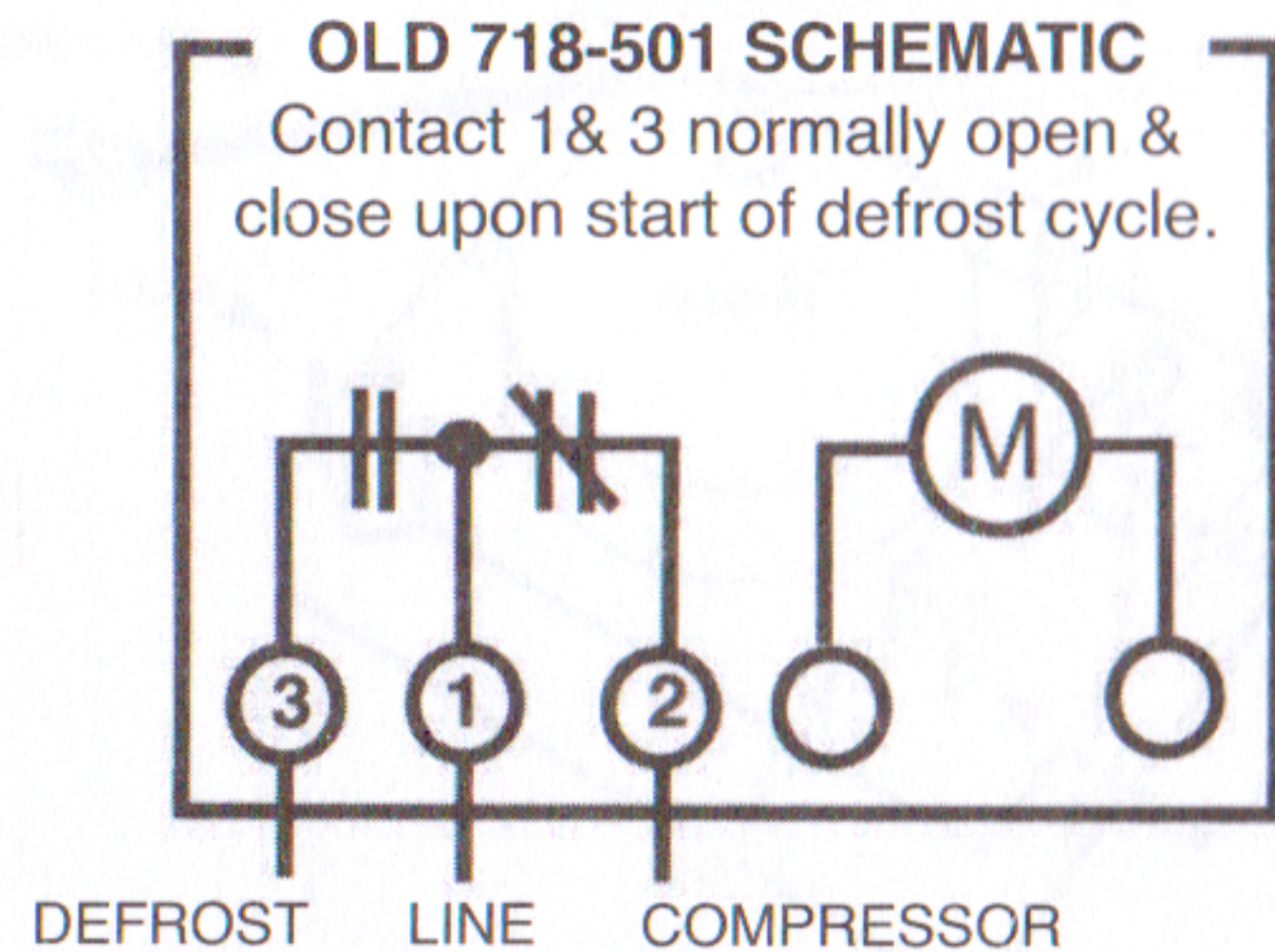


“NEW TIMER”

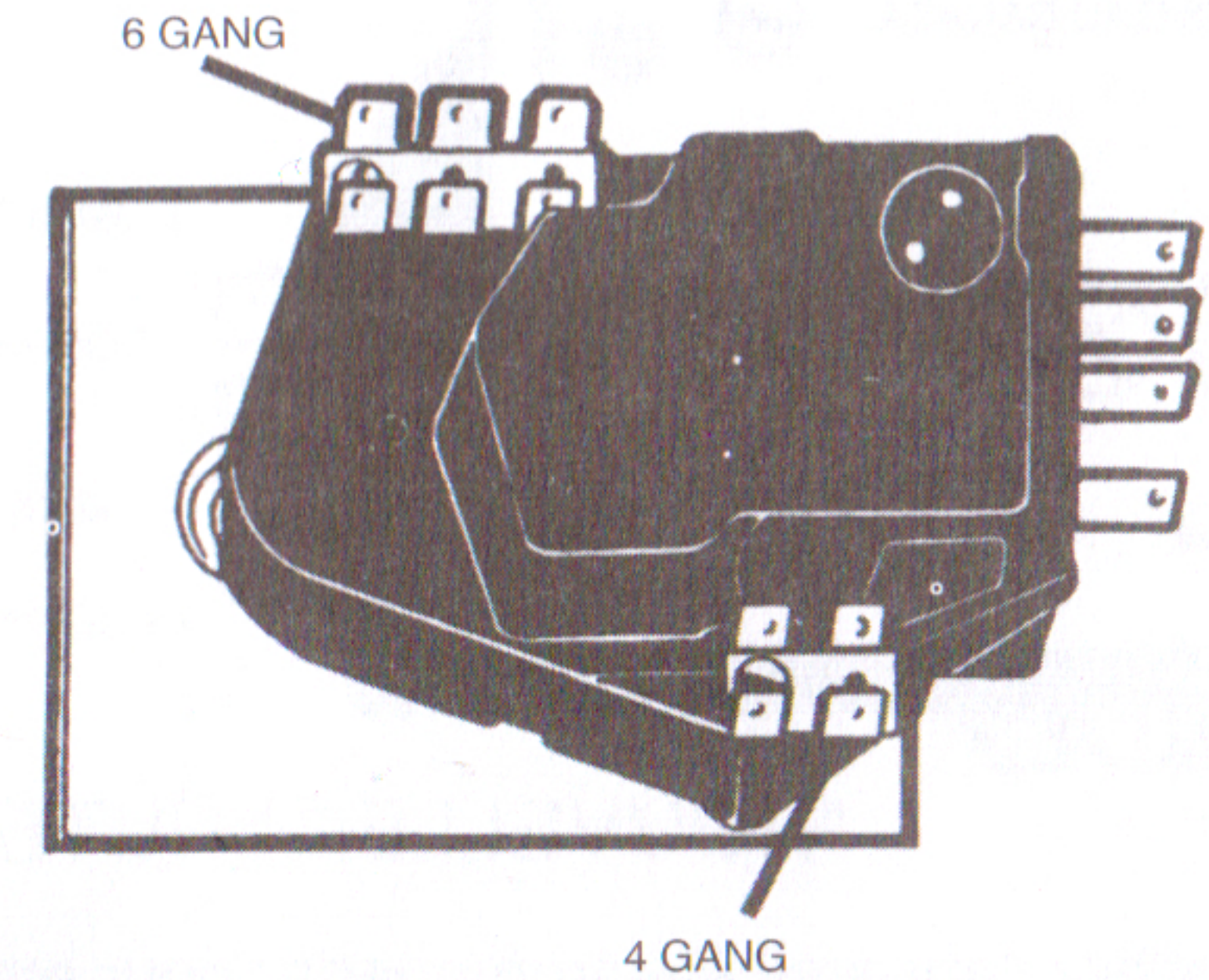
1. Unplug appliance to prevent electrical shock.
2. “New Timer” motor is internally connected to terminals #1 and #3 unlike “old timer” which has two external wires.
3. If one of the external motor wires on “old timer” (usually white) is connected to either a 4 gang or 6 gang terminal, then you will take the black jumper (provided in New Kit) and place the 90° angled terminal directly to the #3 on “New Timer” leaving the straight end terminal (of jumper) to go on the appropriate 4 or 6 gang of “New Timer”.
4. Remove wire(s) from terminal #1 on “old timer” and place them on the #1 terminal of “New Timer” if more than one wire appears on the #1 terminal of “old timer” then use the “Y” jumper (provided in New Kit) to join the wires



719-501

WIRING INSTRUCTIONS

6hr 21 min - 120v 15amp
HEAVY DUTY



5. Remove wire from terminal #2 of “old timer” and place it on terminal #4 of “New Timer”.
 6. Remove wire from terminal #3 of “old timer” and place it on terminal #2 of “New Timer”.
 7. Remove remaining wires from 4 gang on “old timer” and place them on 4 gang of “New Timer”.
 8. Remove remaining wires from 6 gang on “old timer” and place them on 6 gang of “New Timer”.
- **NOTE:** Read all instructions first before installation, if unsure please contact your local appliance repair man.

