



Feedback from the field leads to continuous improvement of service instructions. Please read and follow instructions carefully as they may have changed.

Instructions: 5303950359
ANC: A07364101

Kit 5303918784 REV #5

Date 09/06/2016

Kit Contents:

(1) A04456201 Air Handler Housing	(1) A05056901 Air Handler Gasket	(1) 242095423 Gasket
(2) 5303303590 Wire ties for I/M	(1) A05043501 Fan Grommet	(1) P242095404 Gasket
(2) 5303918733 Foil Tape 60"	(1) A05122901 Fan Support	(1) 5304508268 Heat shield assembly

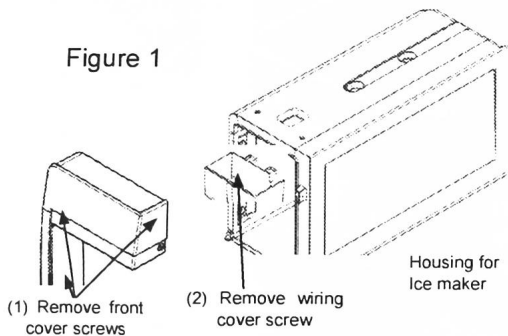
Description: FDBM Fresh Food Ice Maker Air Handler Conversion Kit

Caution: Disconnect unit from electrical power prior to servicing this refrigerator.

Note: The kit is designed to replace the current design Gen 2 Air handler. It will be necessary to transfer the auger motor, cubed/crush solenoid, ice maker evaporator fan and wiring harness along with the additional parts supplied in this kit.

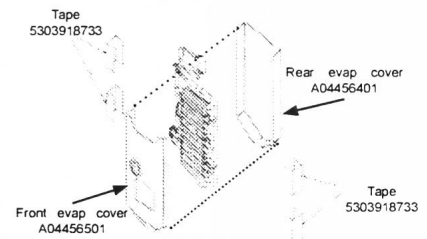
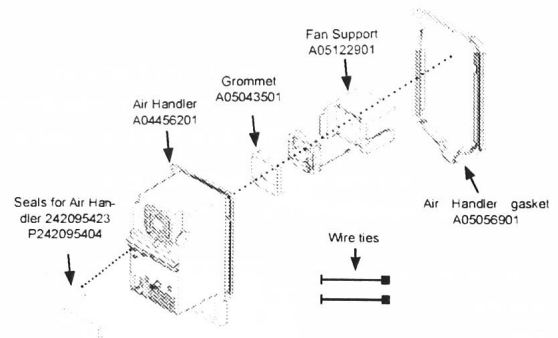
Note: Unplug unit from power source and remove shelving prior to disassembling the ice maker housing.

1. Remove the ice bin and front cover screws.
2. Remove the screw securing the wiring cover and remove the wiring cover. (See Figure 1)

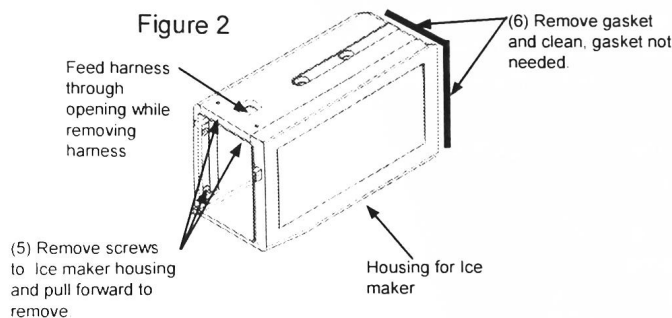


3. Disconnect wiring harness for air handler and ice maker.
4. Remove ice maker from top of housing by pulling forward.

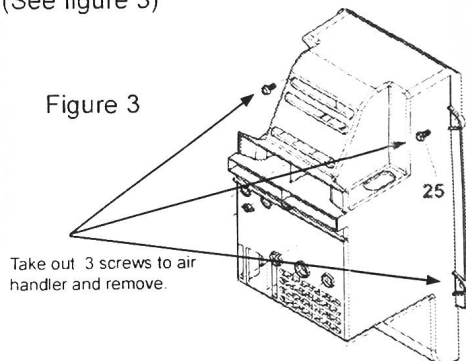
Kit Components



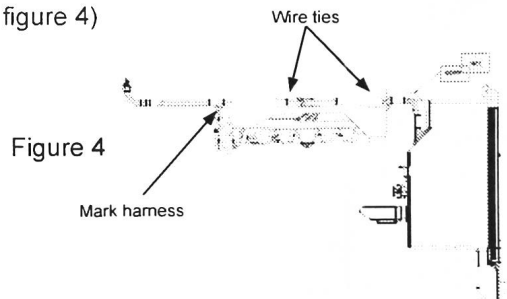
5. Remove the screws to the housing for the ice maker and remove the housing from the unit.
6. Remove rear housing gasket, this is no longer needed. (See Figure 2)



7. Remove the air handler with the ice maker attached to the harness. Be sure to support air handler. (See figure 3)



8. Mark the harness where it meets the ice maker. It will be necessary to reinstall the harness and wire tie in the same location prior to reinstalling Ice maker. Cut wire ties and remove the ice maker from harness. (See figure 4)



Air Handler disassembly

9. Cut the wire ties securing the air handler harness to the ice maker. Set ice maker to the side.
10. Remove auger drive bar from the front of the air handler. Remember that it is reverse thread.

11. Remove the anti-twist pin from the front of the air handler.

12. Remove the screws (3) securing the auger motor to the air handler. One screw is behind the foam strip below the air outlet.

13. Remove the screws (2) securing the cube solenoid to the air handler.

14. Remove the screws (2) holding the ice maker fan in place, disconnect the harness and remove from the air handler. Remove the seal around the fan.

15. Starting at the front (outside) of the air handler, use a putty knife to push the wiring harness grommet out of the air handler. Feed the harness out of the back (inside). Remove the harness, auger motor and solenoid from the air handler.

Evaporator Housing Disassembly

16. Unclip the heater harness from the evaporator cover.

17. Carefully slide the cover off of the evaporator. It may be necessary to heat the evaporator to melt any ice that may have accumulated.

18. Make sure that the metal blank is removed from the ice maker in the event that it does not come out with the cover.

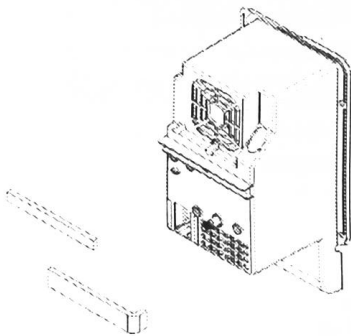
Parts Transfer/Kit Install

Instructions: 5303950359

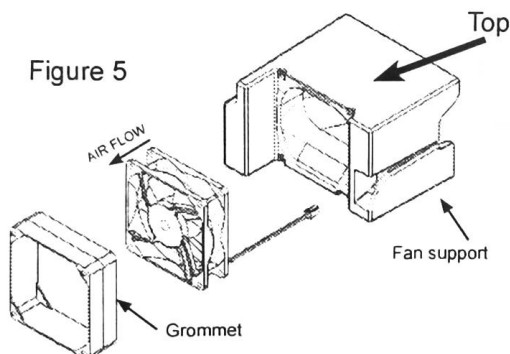
19. Install the air handler harness into the new air handler. Feed the harness from the back (inside) of the air handler. Gently pull the harness to seat the grommet. Ensure the heater connector is able to reach its maximum length and stays clear of any other wires. This will greatly help reconnecting the heater.

20. Install the auger motor, cube solenoid and anti-twist pin into the new air handler. Reinstall the auger drive bar and check electrical connections.

21. Locate and install the two gaskets for the front (outside) of the air handler. These will be the same size and shape as the old gaskets and go in the same locations.

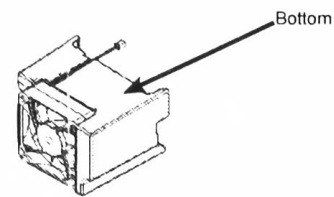


22. Locate the evaporator fan grommet from the kit and install it on the fan. Make sure that the wiring harness is installed in between the fan and the grommet and routed towards the blade side of the fan.

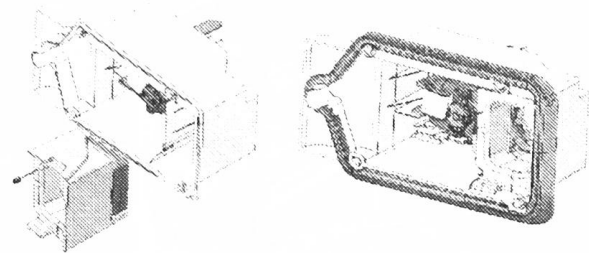


23. Locate the fan support and place the fan into the support. The support will not secure the fan until the two parts are installed into the air handler. Make sure that the "sticker" side of the fan is facing towards the front of the air handler. Also, make sure that the harness for the fan follows the channel in the support as shown (bottom side).

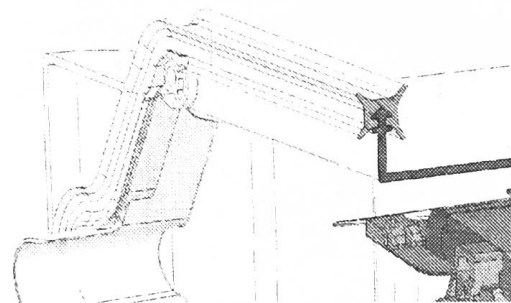
Figure 6



24. With the air handler lying on its side, insert the fan and fan support assembly into the air handler until it is fully seated. Reconnect the fan to the air handler harness.

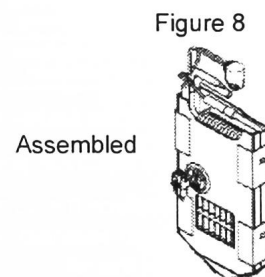
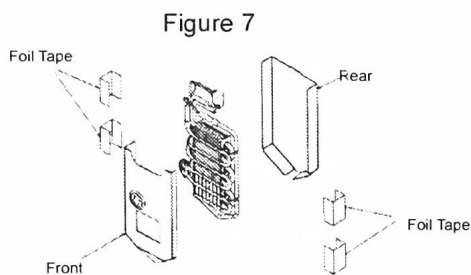


25. Locate and install the new rear seal for the air handler. Starting at the upper right-hand corner (looking at the back of the air handler) will make the install easier. Make sure that the small lip on the inside of the gasket lines up and seats into the channel for the air handler.



Instructions: 5303950359

26. Locate the front and rear evaporator shield and the foil tape from the kit. Hold the rear shield in place while positioning the front shield. When the two pieces are lined up, apply the supplied tape to the sides to hold the two together. Save some foil tape to use for the wiring harness.

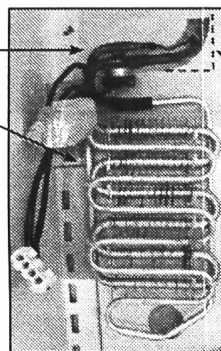


27. Use the foil tape to secure the wiring harness to the side of the evaporator housing. As shown below.

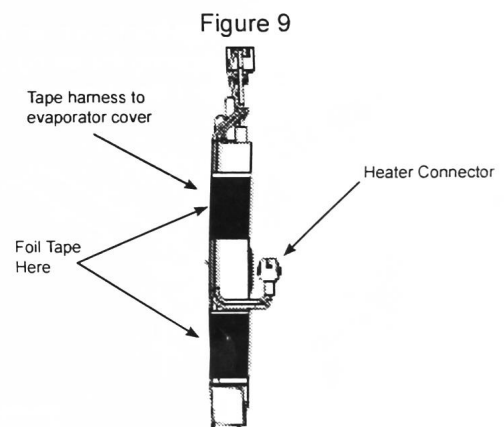
28. Reinstall the air handler wiring harness onto the ice maker. Line up the mark made previously with the edge of the ice maker and secure with the wire ties provided in the kit.

29. Reconnect the heater harness to the heater and install the new air handler to the rear wall.

Prior to installing the air handler, parallel tubing. Portion of defrost heater mounts behind evaporator.



Cut out portion of liner (if necessary) using a utility knife to allow more flexibility of tubing.



30. Secure the air handler with the original screws and check for proper seal.

31. Reinstall the ice maker housing, and ice bucket cover.

32. Reinstall the ice maker, connect the wiring harnesses and reinstall the wiring harness cover.

33. Use a flash light to check for air leaks around the rear of the housing and run the ice maker tests to check operation.