

Important Instructions

Subject Replacing Door Seal Assembly

Use With Frontload Washers with a "3" in the 11th Position of the Model Number



WARNING

To reduce the risk of electric shock, fire, explosion, serious injury or death:

- Disconnect electric power to the washer before servicing.
- Never start the washer with any guards/panels removed.
- Whenever ground wires are removed during servicing, these ground wires must be reconnected to ensure that the washer is properly grounded.
- Motor not grounded! Disconnect electric power before servicing motor.

W4455

Part Nos. 804428P and 804429P consist of:

- 1 - 804428 or 804429 Door Seal Assembly
- 2 - 803840 Lubricant Packet
(6 grams each)
- 1 - 4-14-140 Important Instructions

Removing Old Door Seal Assembly

1. Unplug washer from wall outlet.
2. Turn off water supply to washer.
3. **Front Control Only**
 - a. Unlock control panel.

IMPORTANT: Due to the sensitivity of the electronic control, careful handling is required. As a precautionary measure, we recommend using a ground wrist strap when handling the electronic control. Wrist strap, cord, and alligator clip are designed to carry away any electrostatic charge from your body and to direct charge to an available ground. By using this static protection device, potential electrostatic discharge problems associated with handling of electronic control will be minimized. Always handle electronic control by its metal edges. If a wrist strap is not available, touch washer while it is plugged in before handling control to dissipate any charge.

- b. Remove control panel away from control cabinet as far as wires permit.
 - c. Remove two screws holding front of cabinet top to top front edge of control cabinet front.
4. Open loading door.

5. Carefully remove wire clamp ring from groove in door seal using a small flat blade screwdriver. To avoid damaging spring located in six o'clock position use screwdriver on wire clamp ring to left or right of spring.
6. Grasp lip of door seal. To avoid damaging seal do not use pliers or sharp objects to grasp door seal lip.
7. Pull lip seal up, out, and down using a circular motion. Refer to *Figure 1*. When seal releases from lip of front panel, pull out and remove seal from rest of front panel.



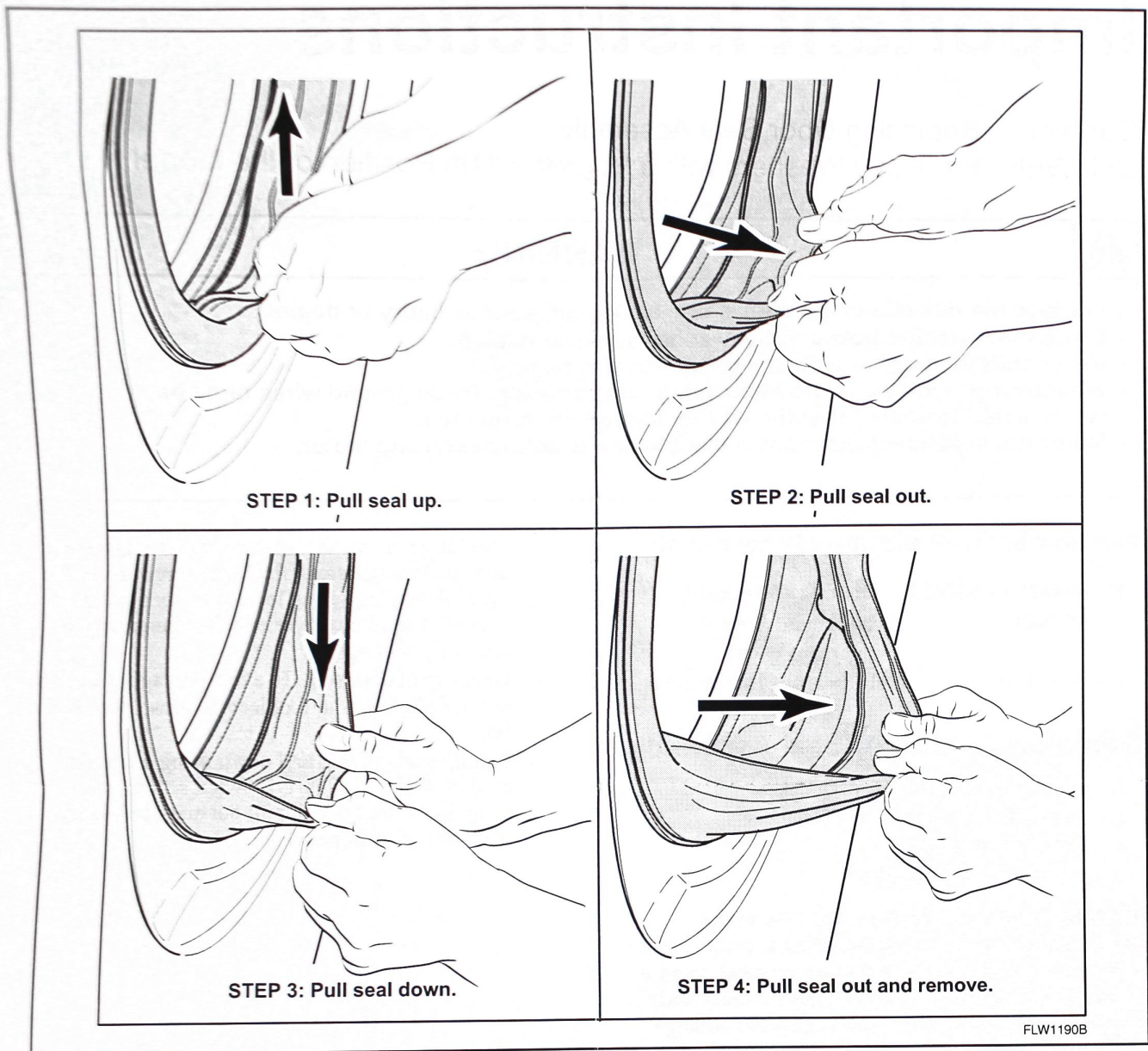


Figure 1

8. Remove two screws from bottom edge of lower access panel while supporting front lower access panel.
9. Remove lower access panel.
10. If safety screw is in place in drawer, remove it.
11. Remove dispenser drawer by pressing in tab under dispenser.
12. Remove bottom two front panel corner screws.
13. Remove front panel away from washer as far as wires permit.
14. Unplug wire harness from door latch/switch assembly. Refer to *Figure 2*.
15. Remove front panel.

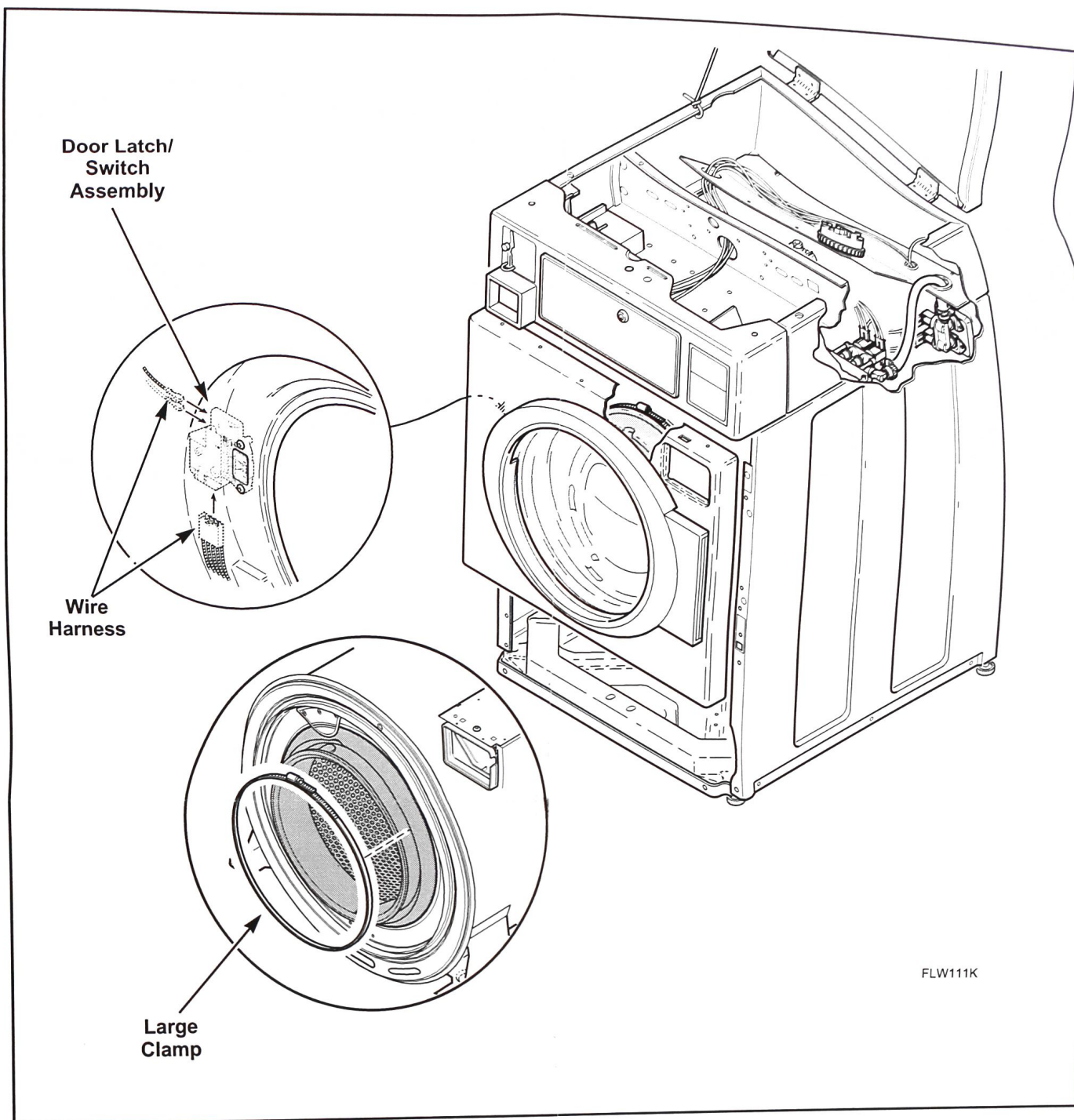


Figure 2

16. Loosen large clamp holding door seal to front of outer tub. Refer to *Figure 2*.
17. Carefully pull seal off front lip of outer tub front panel and remove door seal.

Installing New Door Seal Assembly

1. Place new door seal assembly onto front lip of outer tub front panel with dimple at 12 o'clock.
2. Replace large clamp holding door seal to outer tub. Tighten to 15 inch-pounds (1.69 Nm).
3. Dispense both packets of lubricant as follows:
 - a. Using a brush applicator, apply lubricant within outside lip of seal from 9 to 3 o'clock position. Refer to *Figure 3* and *Figure 4*.

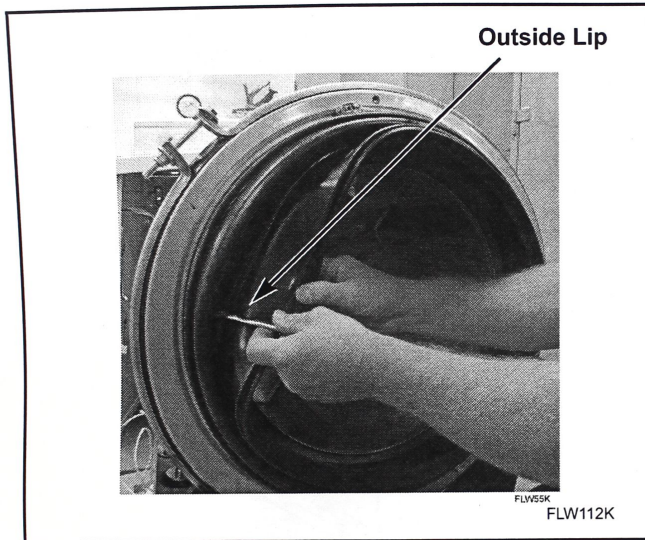


Figure 3

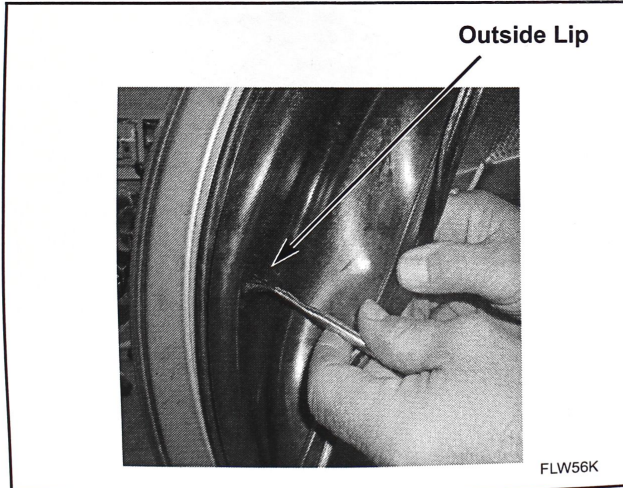


Figure 4

4. Place front panel into position near washer.
5. Reconnect wire harness to door latch/switch assembly. Refer to *Figure 2*. Refer to wiring diagram when reconnecting door lock wires.
6. Reattach front panel with two bottom corner screws.
7. Replace lower access panel.
8. Replace two screws in bottom of access panel.
9. Replace door seal around edge of door opening on front panel. Door seal installation can be improved by using a water or soap solution to work seal around the circumference of loading door opening.
10. Replace wire clamp ring in groove of door seal and attach spring in six o'clock position.
11. Close loading door.
12. Replace two screws holding bottom flange of control cabinet to top flange of front panel.
13. Replace and lock control panel.
14. Replace dispenser drawer.
15. Plug power cord into outlet.
16. Turn on water supply to washer.
17. Run washer through complete cycle to make sure it is operating properly.