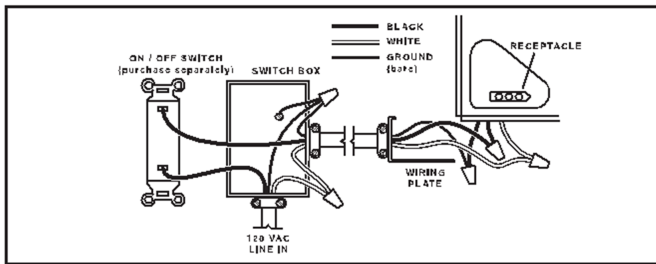
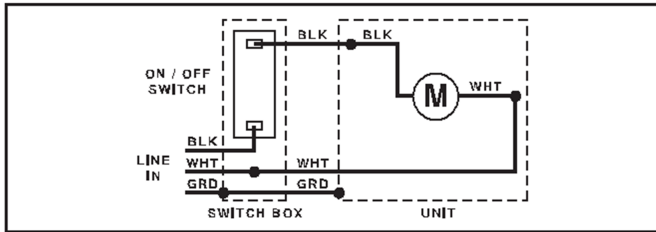


CONNECT WIRING



4. Connect electrical wiring.

Run 120 VAC house wiring to installation location. Use proper UL approved connector to secure house wiring to wiring plate. Connect wires as shown in wiring diagrams.

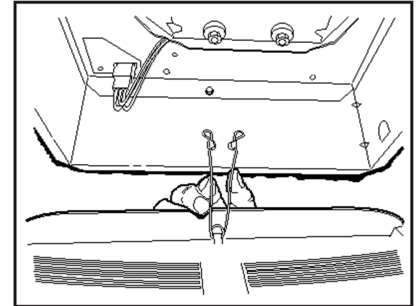
INSTALL GRILLE

5. Finish ceiling.

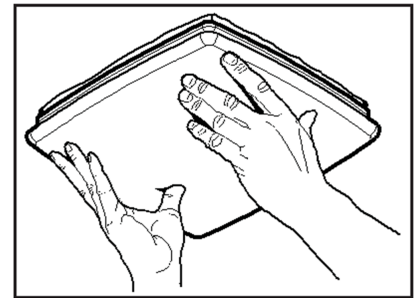
Install ceiling material. Cut out around housing.

6. Attach grille to housing.

Squeeze grille springs and insert them into slots on each side of housing.



7. Push grille against ceiling.

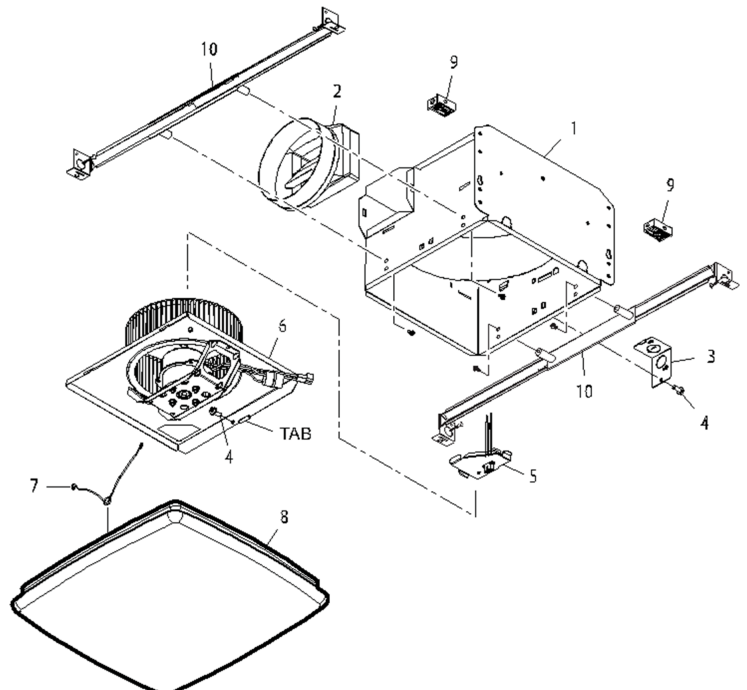


SERVICE PARTS

Key No.	Part No.	Description
1	97016466	Housing
2	97016450	Duct Connector-6"
3	98010102	Wiring Plate
4	99170245	Screw, no. 8-18 x .375"
5	97016583	Wire Panel/Harness Assembly
6	10941286	Blower Assembly (QTXE050C)*
	10941287	Blower Assembly (QTXE080C)*
	10941266	Blower Assembly (QTXE090C)
	10941267	Blower Assembly (QTXE110C)
	10941268	Blower Assembly (QTXE150C)*
7	99140200	Grille Spring (2 req'd)
8	97016756	Grille Assembly (includes key no. 7)
9	99111293	Spacer (2 supplied)
10	97016909	Hanger Bars

*Assembly not shown.

Order service parts by "Part No." - not by "Key No."



SERVICE NOTE

To remove Blower Assembly:

Unplug motor (6).

Remove screw (4) from motor plate flange.

Find the single TAB on the motor plate (located next to the receptacle).

Push up near motor plate tab while pushing out on side of housing. Or insert a straight-blade screwdriver into slot in housing (next to tab) and twist screwdriver.