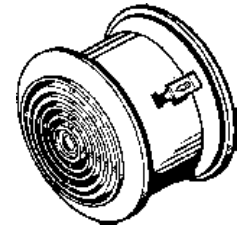


MODEL 512N UTILITY ROOM TO ROOM VENTILATION FAN



Move heated or cooled air through interior walls with this small, yet powerful unit

FEATURES

GRILLE:

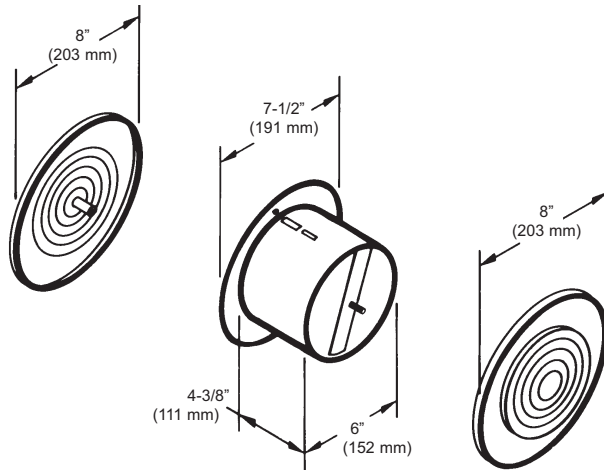
- White polymeric - complements any decor
- Spin-on mounting

MOTOR:

- Plug-in, thermally protected, permanently lubricated
- Quiet, polymeric blade

HOUSING:

- 24 gauge steel housing finished with electrically bonded epoxy paint
- Fits walls up to 5 1/8" (130 mm) thick



TYPICAL SPECIFICATION

Ventilator shall be Broan Model 512N.

Unit shall be installed in an interior wall - NOT through a fire wall. Unit shall be controlled with a toggle switch (speed control) or a timer, which may be purchased separately.

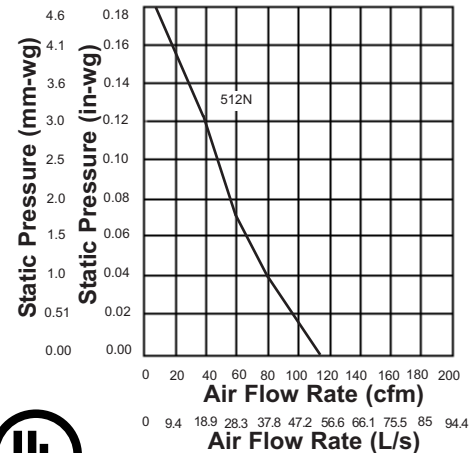
Ventilator shall have steel housing finished with electrically-bonded epoxy paint.

Motor assembly shall be removable and permanently lubricated.

Air delivery shall be no less than 90 CFM (42.2 L/s) and sound level no greater than 3.5 Sones. All air and sound ratings shall be certified by HVI.

SPECIFICATIONS

MODEL	VOLTS	AMPS	RPM	SONES	CFM (L/s)
512N	120	0.5	2600	3.5	90 (42.5)



HVI-2100 CERTIFIED RATINGS comply with new testing technologies and procedures prescribed by the Home Ventilating Institute, for off-the-shelf products, as they are available to consumers. Product performance is rated at 0.1 in. (2.54 mm) static pressure, based on tests conducted a state-of-the-art test laboratory. Sones are a measure of humanly-perceived loudness, based on laboratory measurements.



Broan, 926 West State Street, Hartford, WI 53027 (1-800-637-1453)

Broan Canada, 1140 Tristar Drive, Mississauga, Ontario, Canada L5T 1H9 (1-888-882-7626)

REFERENCE	QTY.	REMARKS	Project
			Location
			Architect
			Engineer
			Contractor
			Submitted by Date