

#5 803918578  
P8112



Feedback from the field leads to continuous improvement of service instructions.  
Please read and follow instructions carefully as they may have changed.

### INSTRUCTIONS FOR INSTALLATION OF FRESH FOOD ICE MAKER GASKETS KIT 5303918578 ON FRENCH DOOR BOTTOM FREEZER UNITS EQUIPPED WITH FLEX TRAY FRESH FOOD ICE MAKER

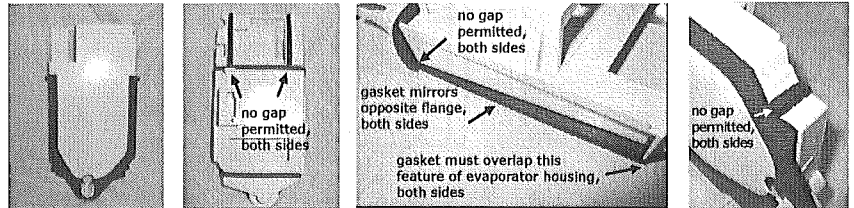
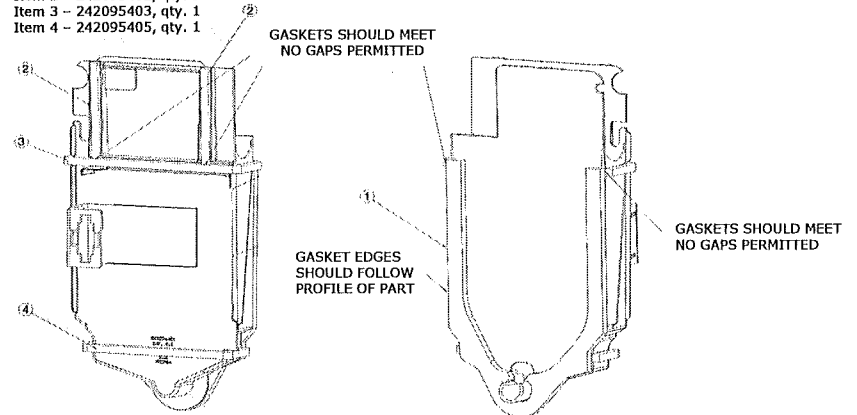
Gaskets provided in this kit are intended for use when the original gaskets inside the Fresh Food Ice Maker assembly are damaged or deformed during disassembly or repair. Whenever the ice maker housing, air handler or evaporator cover are removed or loosened, all gaskets should be inspected for damage or deformation and replaced if necessary.

Gaskets included:	Item 1 - 242095408, qty. 1	Item 6 - 242095407, qty. 1
	Item 2 - 242095402, qty. 2	Item 7 - 242124802, qty. 1
	Item 3 - 242095403, qty. 1	Item 8 - 242124801, qty. 1
	Item 4 - 242095405, qty. 1	Item 9 - 242146001, qty. 1
	Item 5 - 242095404, qty. 1	

**CAUTION:** Disconnect unit from electrical power when servicing the Fresh Food Ice Maker.

#### EVAPORATOR COVER GASKETS

- Item 1 - 242095408, qty. 1
- Item 2 - 242095402, qty. 2
- Item 3 - 242095403, qty. 1
- Item 4 - 242095405, qty. 1

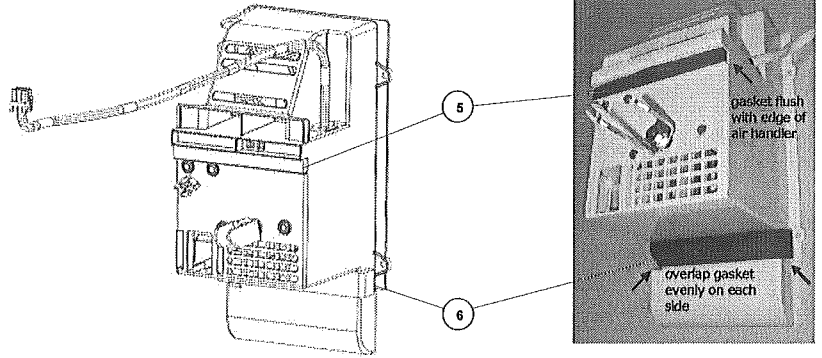


We strive to provide clear and accurate service instructions. If you found any portion of this document to be unclear or inaccurate, or if you have suggestions for improvements please let us know. Contact us at 1-888-842-3660 or suggestions@electrolux.com

87081P808 211-  
9702/2

### AIR HANDLER GASKETS

- Item 5 - 242095404, qty. 1
- Item 6 - 242095407, qty. 1



### HOUSING GASKETS

- Item 7 - 242124802, qty. 1
- Item 8 - 242124801, qty. 1
- Item 9 - 242146001, qty. 1

