

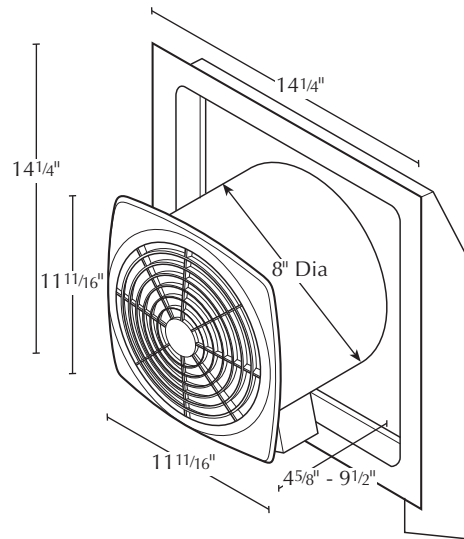
Air King[®]

Ventilation Products

SPECIFICATIONS
EWF-180
 EXHAUST FANS

180 CFM/6.5 SONES @ 0.03" WG. -HVI CERTIFIED
120 Volts, .80 amps, 60 hz.

- **Grill**
White polymeric grill, dimensions - 11¹/₂" x 11¹/₂".
- **Blower Wheel**
Axial Fan Blade — plastic 7.5" Diameter 10 paddle.
- **Motor**
Heavy duty, permanently split capacitor, plug-in, 4 pole motor, life time lubrication, thermally protected. Rated 120 volts, 60 hz., 0.80 amps.
- **Fan Housing**
Rugged heavy gage steel housing finished with electro-statically applied epoxy paint stands up to UV light, water, and temperature extremes.
- **Duct**
Metal 8" round duct, vents directly to outside, includes springloaded aluminum backdraft damper.
- **Unit Mounting**
Exterior wall mounting eliminates the need for ductwork by venting directly outdoors and can be installed in walls 4" to 9" thick.
- **Ventilating Area**
For rooms up to 225 sq. ft.
- **Single Pack Shipping Info**
Box Dim: 19¹/₄" x 15¹/₂" x 10¹/₂"
UPC: 0-8316221801-8
Shipping Weight: 13.7 lbs.



CUL/HVI

PERFORMANCE											
	Static Pressure (inches of w.g.)								HVI Sones @ .1 SP	Fan Speed RPM	Power Watts
	0	0.03	0.1	0.15	0.2	0.25	0.3	0.35			
Air Flow - CFM	193	180	157	147	139	134	131	128	6.5	2200	80

PROJECT					ARCHITECT						
LOCATION					ENGINEER						
CONTRACTOR					SUBMITTED BY					DATE	
FAN NUMBER	MODEL NUMBER	CFM	IN W.G.	RPM	WATTS	AMPS	SONES	QTY	OPTIONAL EQUIPMENT & REMARKS		



U.S.: 820 Lincoln Drive
 West Chester, Pennsylvania 19380-4466
 Tel: (610) 692-7400 ¥ 877-304-3785
 Fax: (610) 696-8048

Canada: 110 Glidden Road
 Brampton, Ontario L6T 2J3
 Tel: (905) 456-2033
 Fax: (905) 456-1015